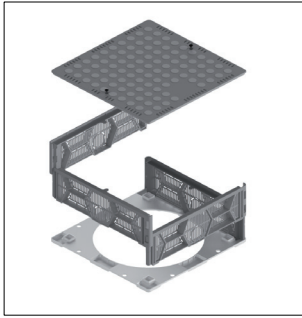
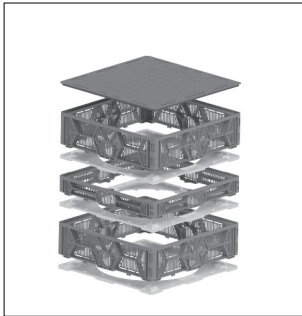


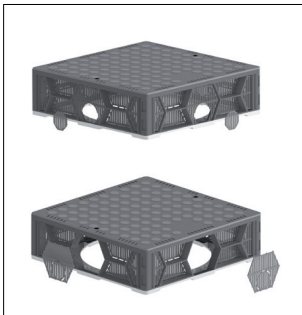
Inspection Chamber and Gully Top Vario



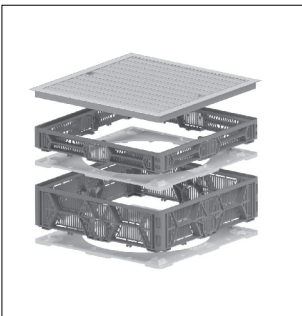
Modular inspection chamber and gully top



Inspection chamber and gully top with extension elements 5 cm and 10 cm



Inspection chamber and gully top with pre-cut wholes Ø 50 mm for drainage pipes and Ø 80 mm for branch drains



Inspection chamber and gully top with grating

TECHNICAL DATA

| | |
|----------------|---|
| Raw Material: | Recycling polypropylene, UV-resistant |
| Colour: | Anthracite |
| Top: | Lockable PP top cover or grating, galvanised steel, mesh size 30 mm x 10 mm |
| Floor opening: | Ø 310 mm |
| Loading Class: | A15 |
| Dimension: | 400 x 400 mm |
| Height: | 60 mm or 100 mm |
| Extension: | 10 mm, 50 mm, 100 mm |

FEATURES

- Drains can be controlled and cleaned without bigger effort anytime
- Suitable for extensive and intensive green roofs as well as on roof terraces
- Modular design for flexible extension in steps of 1 cm, 5 cm and 10 cm
- High stability due to additional reinforcement elements every 10 cm
- Extremely space saving and easily to transport
- Reverse flanges allow for installation next to parapet and in corners
- Pre-cut wholes facilitate connection of drainage pipes and branch drains
- Grating in size of paving slabs of 40 cm x 40 cm allows for use as gully top on terraces
- Suitable for all current gravity and pressure drainage systems

SUGGESTION FOR A TENDER

pcs **inspection chamber and gully top Vario**

modular chamber made of UV-resistant recycling polypropylene with stable top cover (loading class A15), extendable in 1 - 5 - 10 cm steps, with reverse flanges for installation next to parapet and corner areas, on each side pre-cut wholes for connection with drainage pipes and branch drains, also usable as discharger for downpipes, Ø 31 cm floor opening for all current gravity and pressure drainages

| | |
|--------------------------------|---|
| Raw material body: | <input type="checkbox"/> recycling polypropylene, UV-resistant |
| Top cover: | <input type="checkbox"/> lockable PP top cover <input type="checkbox"/> galvanised steel grid, mesh size 30 x 10 mm |
| Dimension: | <input type="checkbox"/> 400 x 400 mm |
| Height: | <input type="checkbox"/> 60 mm <input type="checkbox"/> 100 mm |
| Adjustable height in steps of: | <input type="checkbox"/> 10 mm <input type="checkbox"/> 50 mm <input type="checkbox"/> 100 mm |

*04/2024