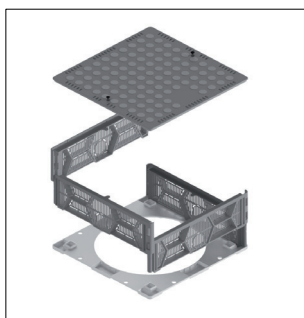
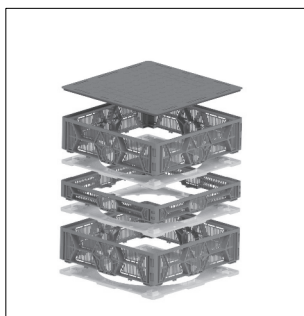


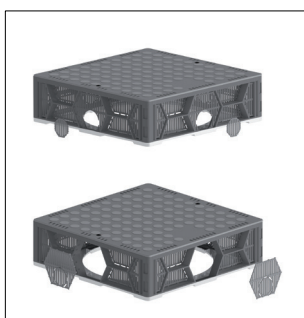
Inspection Chamber and Gully Top Vario



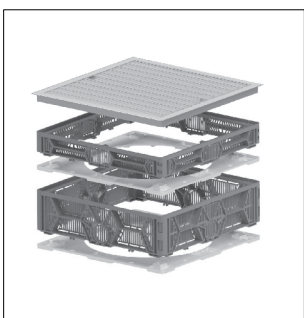
Modular inspection chamber and gully top



Inspection chamber and gully top with extension elements 5 cm and 10 cm



Inspection chamber and gully top with pre-cut wholes Ø 50 mm for drainage pipes and Ø 80 mm for branch drains



Inspection chamber and gully top with grating

TECHNICAL DATA

Raw Material:	Recycling polypropylene, UV-resistant
Colour:	Anthracite
Top:	Lockable PP top cover or grating, galvanised steel, mesh size 30 mm x 10 mm
Floor opening:	Ø 310 mm
Loading Class:	A15
Dimension:	400 x 400 mm
Height:	60 mm or 100 mm
Extension:	10 mm, 50 mm, 100 mm

FEATURES

- Drains can be controlled and cleaned without bigger effort anytime
- Suitable for extensive and intensive green roofs as well as on roof terraces
- Modular design for flexible extension in steps of 1 cm, 5 cm and 10 cm
- High stability due to additional reinforcement elements every 10 cm
- Extremely space saving and easily to transport
- Reverse flanges allow for installation next to parapet and in corners
- Pre-cut whole facilitate connection of drainage pipes and branch drains
- Grating in size of paving slabs of 40 cm x 40 cm allows for use as gully top on terraces

SUGGESTION FOR A TENDER

pcs **inspection chamber and gully top Vario**

modular chamber made of UV-resistant recycling polypropylene with stable top cover (loading class A15), extendable in 1 - 5 - 10 cm steps, with reverse flanges for installation next to parapet and corner areas, on each side pre-cut wholes for connection with drainage pipes and branch drains, also usable as discharger for downpipes, Ø 31 cm floor opening for all current gravity and pressure drainages

Raw material body:

Top cover:

Dimension:

Height:

Adjustable height in steps of:

recycling polypropylene, UV-resistant

lockable PP top cover galvanised steel grid, mesh size 30 x 10 mm

400 x 400 mm

60 mm 100 mm

10 mm 50 mm 100 mm

*04/2023